

# RETRO BALL



Spherical shaped surface mounted or suspended luminaire. Top quality SMD LED module with colour consistency MacAdams  $\leq 3$ , extensive portfolio of lumen ranges, CCTs and spectra. Variety of drivers: standard EVG on/off, DALI and wireless controlled as MasterConnect or Casambi on request. Remote, wireless occupancy & daylight sensor available to allow significant energy savings and wireless connectivity. Mounting on any type of ceiling. Body is made of aluminium and steel. Standard colour RAL 9003S, any other colour from basic RAL range available at no extra cost. Variety of lumen outputs and drivers allows to use this luminaire in different types of lighting projects.

Luminous flux & Luminaire Power tolerance up to 10%. System power consumption depends on components used. Luminous efficacy depends on type of LED's, electronics, optics and diffusor. The most up to date technical parameters can be found on our website and in database of LDT files.

Lighting direction:



PDF datasheet:



# RETRO BALL

<b>Mounting:</b>	Surface mounted / Suspended
<b>Body material:</b>	Steel and aluminium
<b>Colour:</b>	Standard white RAL 9003S, other RAL colours on request
<b>Lumen output:</b>	Standard up to 2000lm, any other on request
<b>LED module:</b>	Signify (Philips), Tridonic or equivalent SMD LED module
<b>Colour temperature:</b>	3000/4000K, other on request
<b>Colour Rendering:</b>	CRI>80 in standard, other on request
<b>Driver:</b>	EVG on-off integrated, other on request
<b>Wireless control:</b>	N/A
<b>Daylight/Occupancy sensor:</b>	N/A
<b>Emergency unit:</b>	N/A
<b>Operating temperature range:</b>	0°C ... +35°C
<b>IP Class:</b>	IP20 in standard
<b>Power:</b>	220-240V 50/60Hz
<b>Lighting direction:</b>	Direct lighting
<b>Light distribution:</b>	Symmetric
<b>Optics:</b>	Aluminium reflector
<b>Beam angle:</b>	All types available in our LDT file database
<b>Warranty:</b>	5 Years standard warranty

**RETRO BALL SURF** surface mounted, light down

**RETRO BALL PND** suspended, light down

All current index numbers, lumen outputs, power consumption and many other technical information are available in our 2024 pricelist. Details on wireless lighting control systems on page number 896.



Energy saving MasterConnect wireless lighting control system with daylight and movement detection technology on request.



RETRO BALL PND



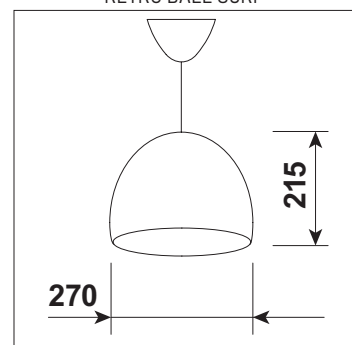
RETRO BALL SURF



MCS wireless daylight & occ sensor



XC3 wireless switch



Basic dimensions



## RETRO BALL

Product code	Product name	Gross Lumen [lm]	Nett Lumen [lm]	Power [W]	Efficacy [lm/W]	Colour temperature [K]	Optics	Diameter [mm]	Height [mm]	Nett Weight [kg]
50.02630.83.E	RETRO BALL / 2000 lm / 830 / E	2000	1800	18	100	3000	Symmetrical	Ø 271	215	2,2
50.02630.84.E	RETRO BALL / 2000 lm / 840 / E	2000	1800	18	100	4000	Symmetrical	Ø 271	215	2,2
50.02635.83.E	RETRO BALL / 3000 lm / 830 / E	3000	2800	27	104	3000	Symmetrical	Ø 271	215	2,2
50.02635.84.E	RETRO BALL / 3000 lm / 840 / E	3000	2800	27	104	4000	Symmetrical	Ø 271	215	2,2